

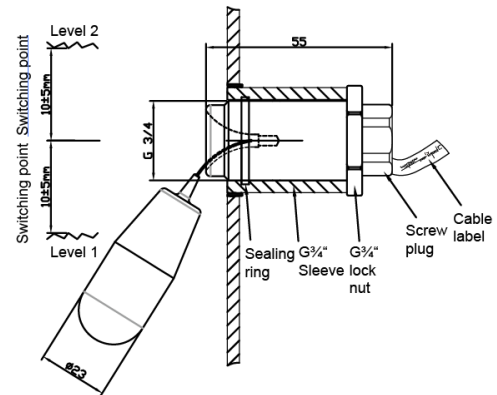
SJE TETHERED REED SWITCH™

Non-magnetic Tank Level Float Switch

SJE Tethered Reed Switch™ is a suspended float switch designed to monitor levels in non-magnetic tanks (e.g. of stainless steel or plastics). Thanks to the "Flexible Connection Float" technology, it is suitable for use in extremely dirty liquids, like septic tank.

The switch body is mounted on the side wall of the tank with the G $\frac{3}{4}$ " screw sleeve. A plastic float is suspended on the end of a stainless steel cord. Float switch and cord are inserted in the tank through a G $\frac{3}{4}$ " screw plug. As the float rises with the level of the liquid, a permanent magnet inside the float actuates the magnetic switch inside the G $\frac{3}{4}$ " screw plug, providing an upper or lower level signal.

A special plastic sealing ring protects the G $\frac{3}{4}$ " screw plug against the thread of the welding sleeve.



Mounting drawing

FEATURES

- Freely movable float
- Suited for extremely dirty liquids
- Easy installation
- Cable comply with TJ/CL254-2013(V1.0) standard, or EN50575:2014 + A1:2016 (depends on application needed)
- Registered utility model
- Strictly tested according to EN 50155 (approved for use on rail vehicles)

Note: This switch only can be applied on non-magnetic tank.
Using on magnetic tank may cause failure signal.

PART NO. DESCRIPTION

1055480Y	SJE Tethered Reed Switch™, 15mA, 24 VDC, Normally Open
1042485Y	SJE Tethered Reed Switch™, 15mA, 24 VDC, Normally Closed

TECHNICAL

- Operating voltage : 24 VDC (16V to 35V DC)
- Operating current : 15 mA
- Maximum output : 35 VDC, or 0.2 A
- Contact capacity : 3W/VA max.
- Switching point : 10 ± 5 mm below or above the centre line of the plug (refer to mounting drawing)
- Mounting : G $\frac{3}{4}$ " screw plug
- Installation clearance : > 60 mm
- Electrical connection : 2 x 0.5 mm² cable, halogen-free cable specialized for rail vehicles
- Working temperature : - 40 °C ~ 70 °C
- Storage temperature : - 55 °C ~ 70 °C
- Operating pressure : ≤ 110 kPa (1.1bar)
- Liquid density : ≥ 800 kg/m³
- Testing : As per EN 50155
- Protecting grade : IP67
- Vibratory strength : 20 m/s² (5 to 150 Hz)
- Shock resistance : 50 m/s²
- Cable length : Approx. 0.5m



